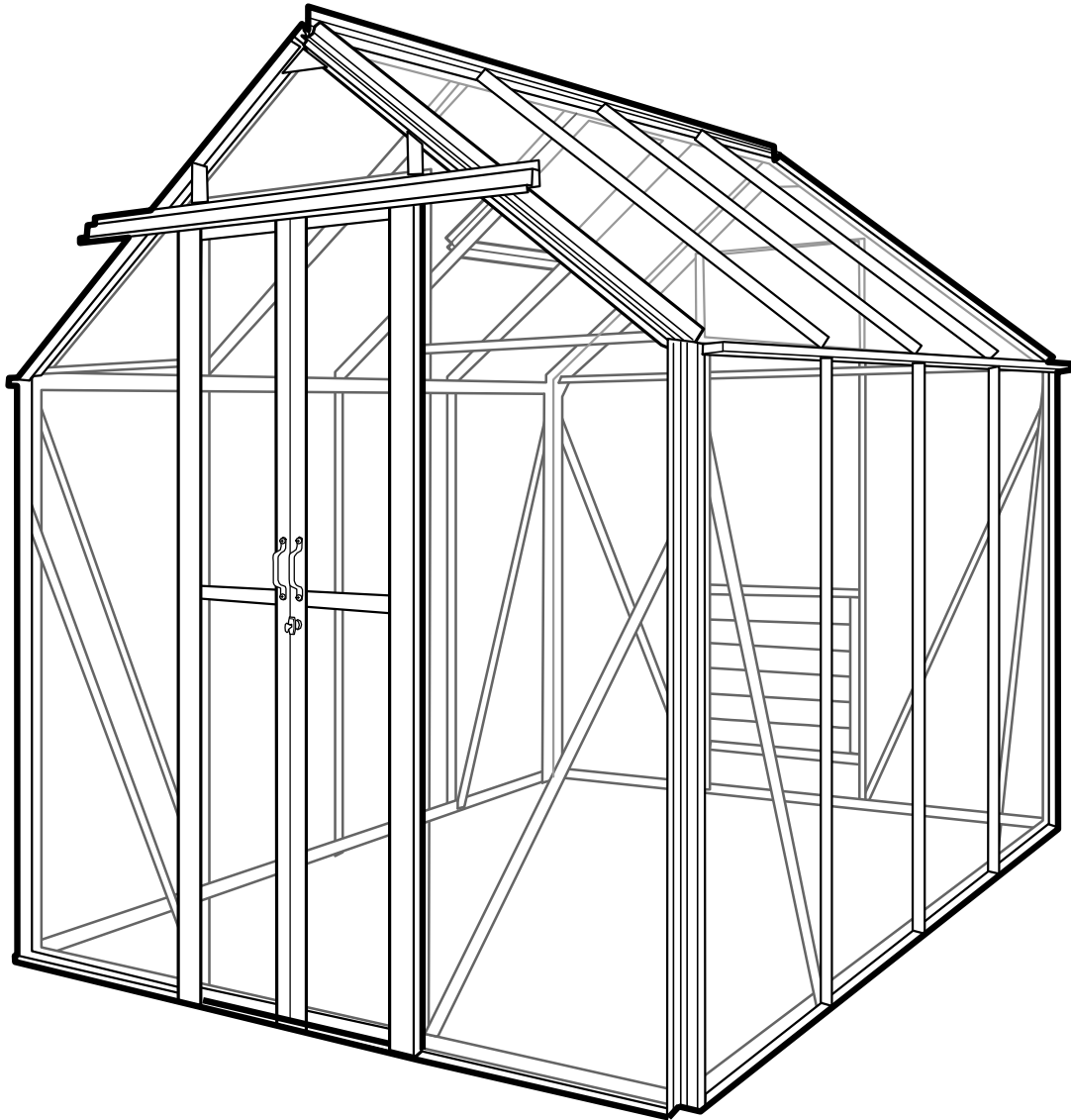


Summer Greenhouses

6x8 GREENHOUSE 185



Assembly instructions for the 6x8 Aluminium Greenhouse 185

PLEASE READ ALL INSTRUCTIONS BEFORE PROCEEDING

Summer Greenhouses – phone us free on 0800 9777 828

The 6x8 Greenhouse 185 – Summer Greenhouses

CONTENTS	PAGE NO.
Introduction	2
Safety advice	2
Tools required	2
Identification diagrams	3
Content list	4
Broken Glass policy	5
Assembly Procedure	5
Site Preparation	6
Rubber Glazing beads	6
Assembling the Plain End	7/8
Assembling the Door End	9
Assembling the Sides	10
Assembling the four sections	11
Assembling the Roof/Louvre	11/12
Glazing the greenhouse	12/13
Door, Vent and Finishing	14-17
Downpipe	17
Fixing the greenhouse	17
Staging assembly	18
Shelving assembly	18/19
Glazing Plan - Plain end	20
Glazing Plan - Door end	21
Glazing Plan - Roof	22
Glazing Plan - Sides	23

INTRODUCTION

Thank you for buying the 6 x 8 Greenhouse 185. Please read carefully through these instructions before beginning to put your greenhouse up.

SAFETY ADVICE

It is advisable that the greenhouse be assembled by at least two people. Favourable weather conditions should be chosen. Do not try to erect the building in windy conditions - the glass sheets are difficult to handle in high winds.

Keep children and pets away until the work is finished.

Take your time - rushing causes accidents. We suggest it should take less than a day to complete the assembly.

TOOLS REQUIRED TO ERECT THE GREENHOUSE

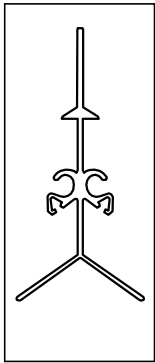
- A hammer.
- 10mm Spanner.
- A small hacksaw.
- Power tools for drilling and screwdriving.
- Alternatively - a pozi drive No 2 screwdriver.
- A Stanley or similar knife for cutting the rubber beading, with extra new blades.
- A pair of steps.

IMPORTANT NOTE

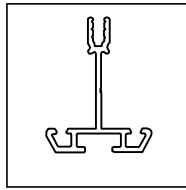
IT IS ADVISABLE FOR TWO PEOPLE TO ASSEMBLE THIS BUILDING.

If this is not possible then please ensure that you have the some wooden props.

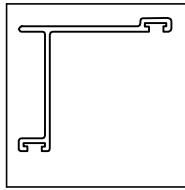
The 6x8 Greenhouse 185 – Summer Greenhouses



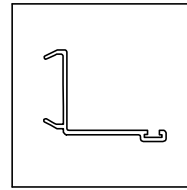
Ridge



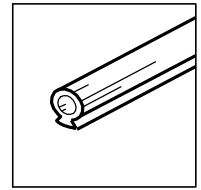
Roof / side
Glazing Bars



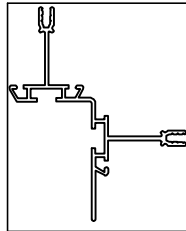
Door Stiles



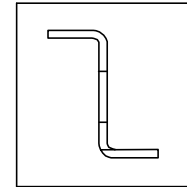
Left hand door
left hand stile



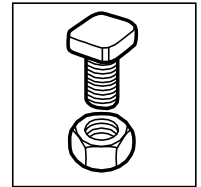
Rubber beading



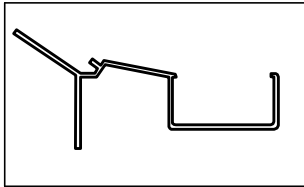
Roof / corner
Glazing Bars



Door track
support / vent
slam bar

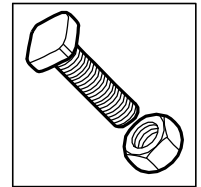


Short nut+bolt

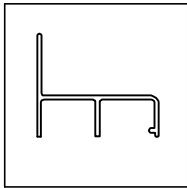


Gutter

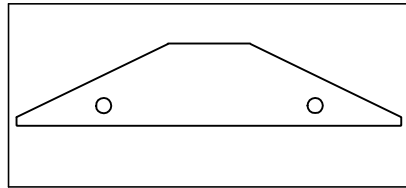
This is not a comprehensive list of components. The more obvious have not been included - for example door furniture and the downpipe. See page 4 for a full list of contents.



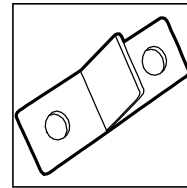
Long nut+bolt



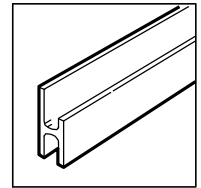
Side/Plain cill



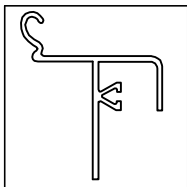
Eaves Plate



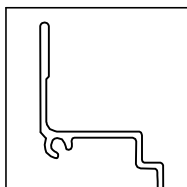
Centre door stop



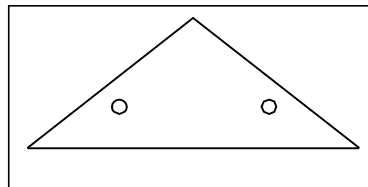
Separator strip



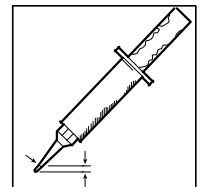
Vent top rail



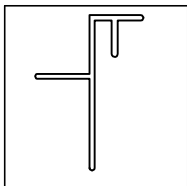
Door
Top/Bottom rails



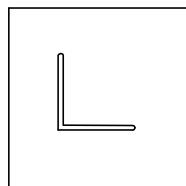
Ridge Plate



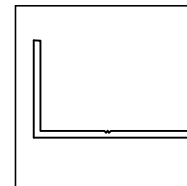
Silicon syringe



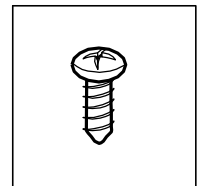
Vent bottom rail



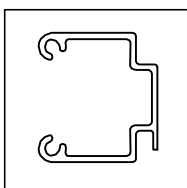
Side diagonal
bracing / gable
diagonal bracing



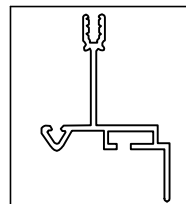
Short door end/
rear end purlin



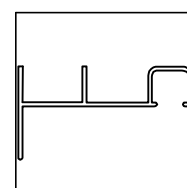
Self tapping screws



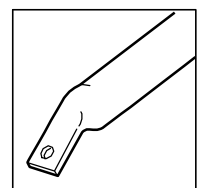
Door middle rail



Vent side rail



Door End Cill



Eaves brace

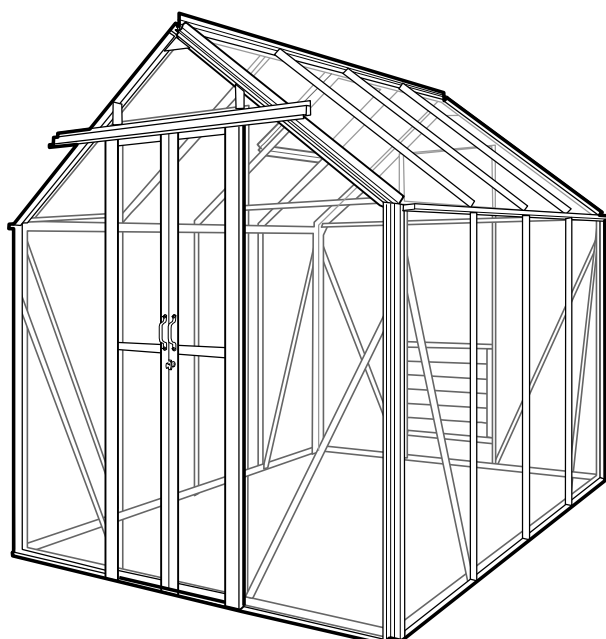
The 6x8 Greenhouse 185 – Summer Greenhouses

CHECK CONTENTS

Description	Quantity
Ridge	1
Gutter	2
Side cill	2
Vent top rail	1
Vent bottom rail	1
Vent side rail	2
Vent slam bar	1
Side diagonal corner bracing	4
Roof glazing bars - 1195mm	6
Side glazing bars - 1490mm	6
Eaves brace	6
Door End Cill	1
Plain End Cill	1
Left Door right hand stile	1
Left Door left hand stile	1
Right Door left hand stile	1
Right Door right hand stile	1
Door top rail	2
Door bottom rail	2
Door middle rail	2
Track inner	1
Track outer	1
1st Intermediate glazing bar right hand	2
1st Intermediate glazing bar left hand	2
Door track support	1
Short door end brace	2
Eaves plate	4
Ridge plate	2
Rear end purlin	1
Left r/end glazing bar - 1195mm - mitred both ends	2
Right r/end glazing bar - 1195mm - mitred both ends	2
Corner glazing bar left - 1490mm - 90° one end	2
Corner glazing bar right - 1490mm - 90° one end	2
Gable diagonal bracing	4

CHECK CONTENTS

Description	Quantity
Tubular eaves braces	4
Bar capping	8
Rubber beading	
M4 Nuts and bolts	
M6 x 10 Nuts and bolts	
Self tapping screws	
Rawplugs and screws	
Glass	
Door hardware and furniture	1
Rainwater goods	1
Tube of Silicon	1



The 6x8 Greenhouse 185 – Summer Greenhouses

BROKEN GLASS

Glass, occasionally gets broken in transit. Whether you noted it on the carriers delivery form or not, we will pay for its replacement without argument.

You can buy a new sheet of toughened glass from your local glazier and send the receipt to the place of purchase. You will receive a refund cheque within a few days.

There is no need to delay construction of the greenhouse if you would prefer to continue. Check that the replacement glass can be fitted easily after the greenhouse is complete.

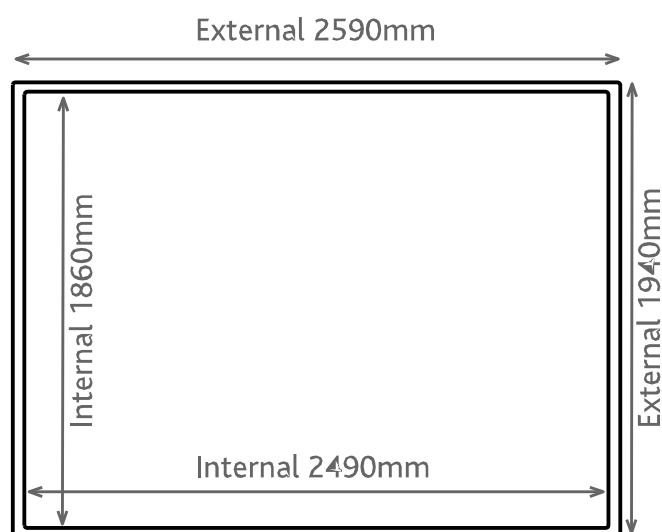
On pages 20-23 are glazing plans which give sizes and positions for all your glass requirements.

Double check the sizes before you order a replacement piece of glass and remember to order toughened safety glass.

ASSEMBLY PROCEDURE

Remember there is no need to rush if you are assembling this building yourself. The assembly procedure falls easily into six distinct stages:

A Siting the greenhouse and ensuring that the base is right - if the base is level, flat and square then the greenhouse will go up easily.



The base plan is detailed above for the 6x8. If the greenhouse is being fitted on a brick, concrete or timber base then 20mm should be deducted off the overall external width and length measurements. (eg 10mm each side).

This will prevent the rainwater going back into the greenhouse.

B All glazing bars are to be fitted with the rubber beading.

C Assembling the door end, plain end and side structures.

D Assembling the roof structure.

E Glazing the complete greenhouse.

F Doors, Vents and finishing off

A SITE SELECTION AND PREPARATION

It is important that you site your greenhouse in the correct place and on a true and level base.

Choose a site that gains maximum light and avoid overhanging trees if possible. Hedges and small fences can help by acting as wind breaks. Also consider if you require water or electricity - which may mean positioning near your house.

The site you choose **MUST** be prepared so that the base of the greenhouse is level and square. If **NOT** the greenhouse will become distorted and may not fit together correctly.

See base sizes on page 5.

The greenhouse can be placed and fixed to a concrete pad, blocks, bricks or paving slabs. Again ensure that you have adequate foundations to ensure the base will not move.

Also check that water will 'run off' the edges.

Time must be allowed for any concrete or cement work to dry completely before constructing your greenhouse.

Check level with a spirit level and the squareness by measuring the diagonals - when the diagonal measurements are equal the base will be square.

VENTS

Positioning of the louvre and roof vents can be at customer's choice, however the louvre vent has to be placed in any section which doesn't carry a diagonal support. For these instructions it has been placed in the middle of the plain end.

The roof vent can be placed in any of the middle 'four' sections. The objective is to gain good air flow through the greenhouse, as good ventilation is crucial for growing healthy plants.

IDENTIFICATION OF ALL PARTS

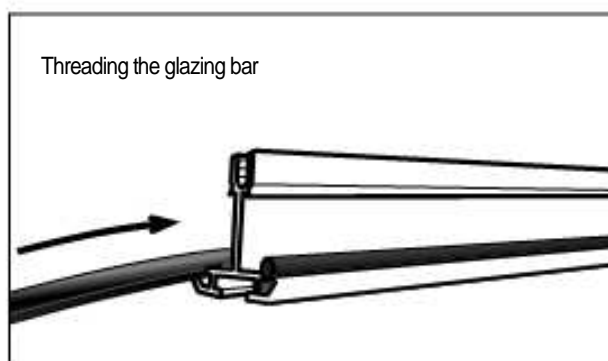
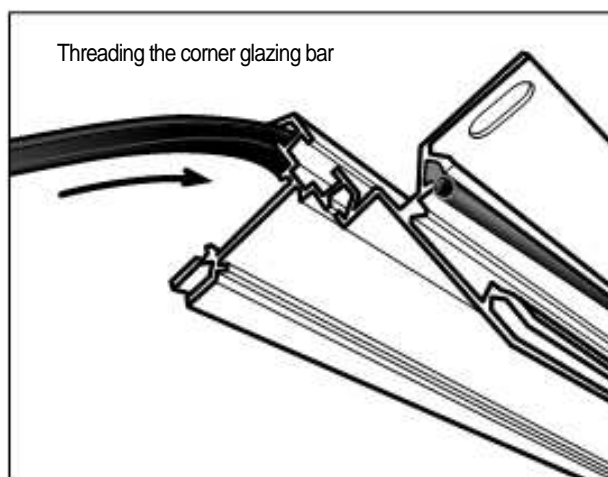
It will make the assembly easier if you can identify the parts you require for each section.

Diagrams within the sections and on page 3 may help in this.

B RUBBER GLAZING BEADS

It is advisable to complete all this section before starting the assembly - although it can be done as and when required.

Start by getting all the glazing bars and then start to thread the rubber beading in to the grooves of the glazing bar. Carefully cut to length taking care not to stretch the strip.



NOTE: You do not have to bead the outer groove of the door glazing bar but you will have to bead the top of it.

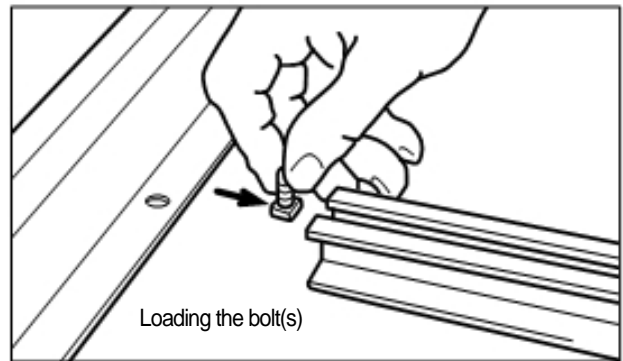
The 6x8 Greenhouse 185 – Summer Greenhouses

ASSEMBLING THE PLAIN END

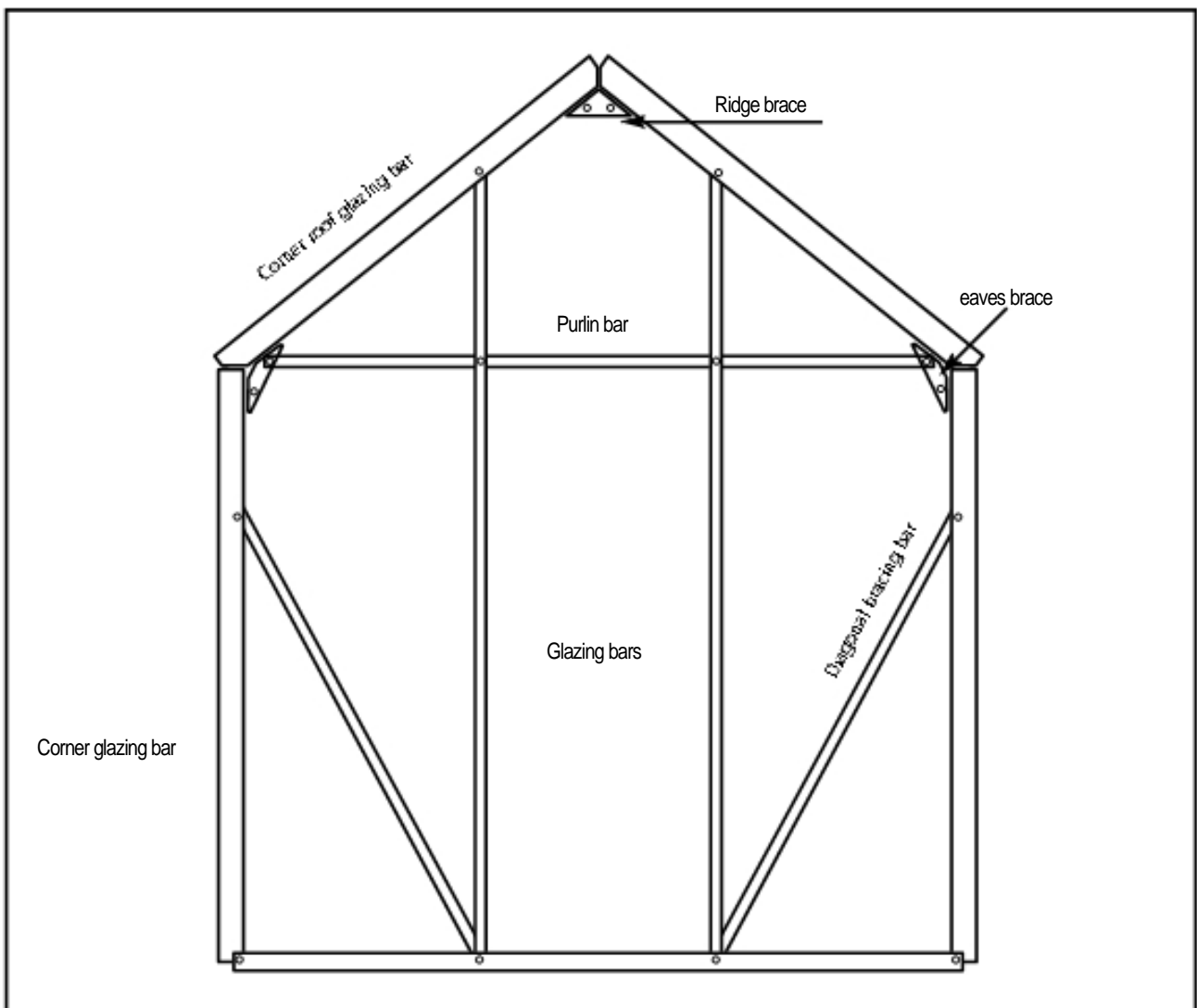
Identify the parts to complete this section:

- 1 x Plain End Cill
- 2 x Corner side glazing bars
- 2 x Glazing bars
- 1 x Rear end purlin
- 2 x Gable diagonal bracing bars
- 2 x Eaves braces
- 1 x Ridge brace
- 2 x Corner roof glazing bars
- Nuts and bolts

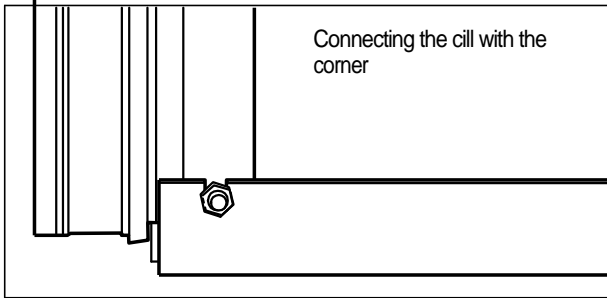
Layout roughly in position on the ground.
(Thread the glazing beads into the glazing bars, if not already done so).



You will need to pre-load an extra bolt in to the glazing bars before assembling. This is to secure the purlin bar at a later time. Start assembly by feeding the bolts through the plain end cill and securing with a nut. Only finger tight at this stage. The corners will slip over the bolt.

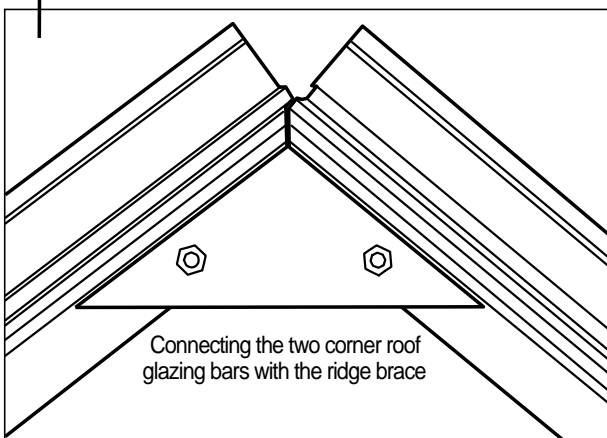
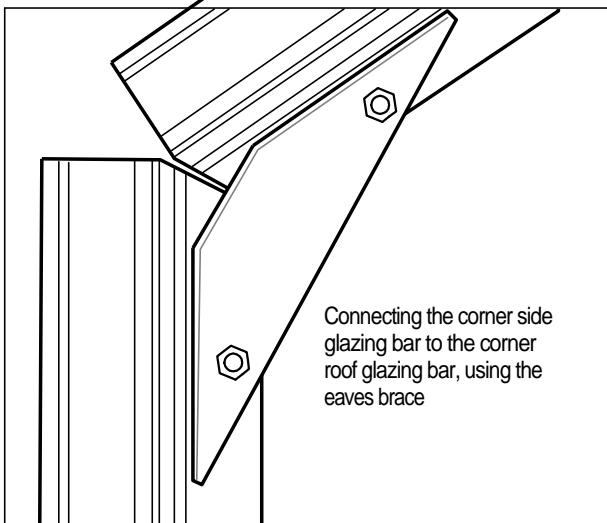


The 6x8 Greenhouse 185



Next fix the roof corner bars to the side corner bars with the two eaves braces, again do not over tighten at this stage. Pre-load the roof bars with three bolts on the side you are having the shelving on - and two bolts on the other side.

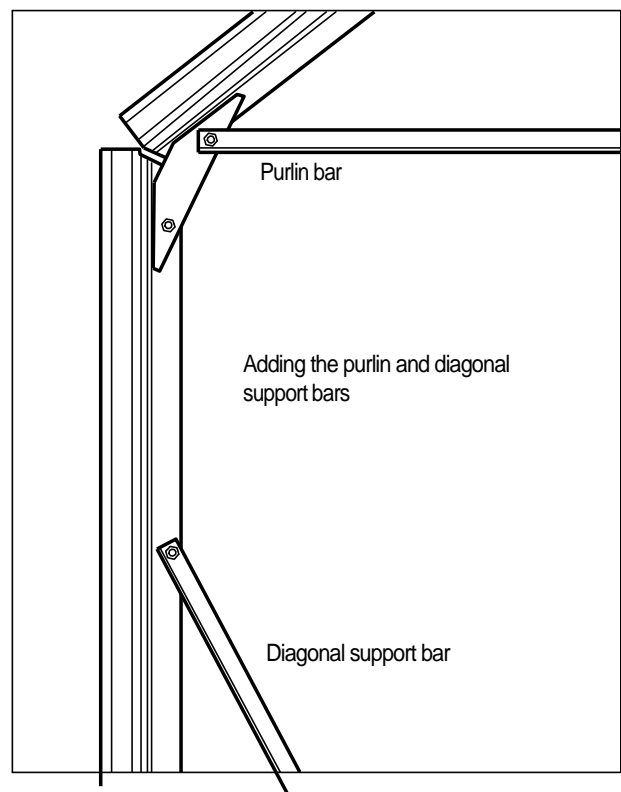
Pre-load the corner glazing bar with 4 bolts on the side you are having the staging and shelving - and two bolts on the opposite side. Finger tighten all these pre-loaded nuts and bolts.



Final adjustments may be needed once all parts have been fixed.

The next fixture is the ridge brace which connects the two gable tops, This is placed on the inside of the greenhouse, with the nuts also showing on the inside. Secure to the gables.

Next fit the rear end purlin, which fits across the end of the greenhouse at eaves height. Ensure you pick up the bolts you pre loaded earlier and secure with nuts.



Last in this section fit and secure the gable diagonal supports. Using the existing bolts, carefully remove the nuts, place the support (and the purlin) in position and replace the nut. See the diagram on the next page.

At this stage double check all is square and fitting correctly then you can tighten all nut + bolts. Put to one side and move to the next section. **The remaining assembly is fixed in a similar manner.**

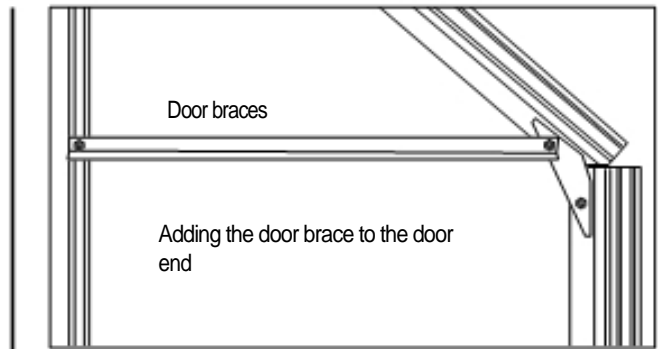
The 6x8 Greenhouse 185 – Summer Greenhouses

ASSEMBLING THE DOOR END

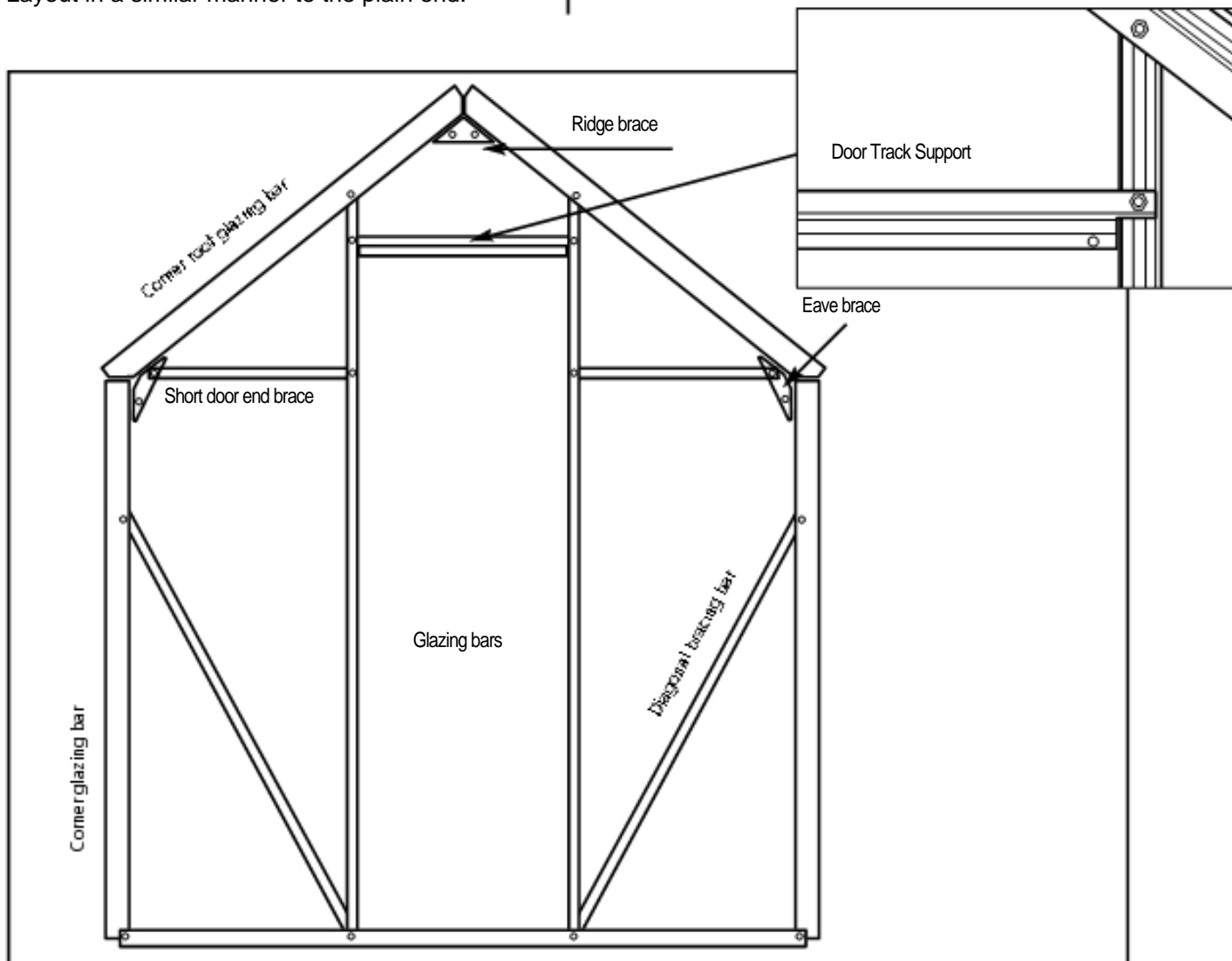
Identify the parts to complete this section, you will not need the doors at this stage:

- 1 x Door End Cill
- 2 x Corner glazing bars
- 2 x Glazing bars
- 2 x Short door end braces
- 2 x Gable diagonal bracing bars
- 2 x Eaves braces
- 1 x Ridge brace
- 2 x Roof end glazing bars
- 1 x Door track support
- Nuts and bolts

Layout in a similar manner to the plain end.



This time pre-load two extra bolts in to the glazing bars. This is for the door braces and the door track support. Also pre-load bolts into the roof corner bars and the side corner bars (to be used when fixing the four sections together). Once all is square you can tighten the bolts. Note that the door track support may need minor adjustments when fixing the doors.



The 6x8 Greenhouse 185 – Summer Greenhouses

ASSEMBLING THE SIDES

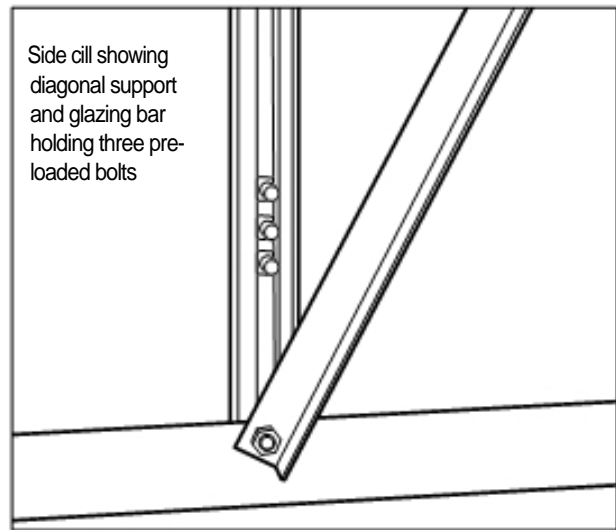
Identify the parts to complete this section - each side will contain:

- 1 x Side cill
- 3 x Glazing bars
- 1 x Gutter
- 2 x Side diagonal corner braces
- Nuts and bolts

Layout roughly in the correct position on the ground as shown in the diagram.

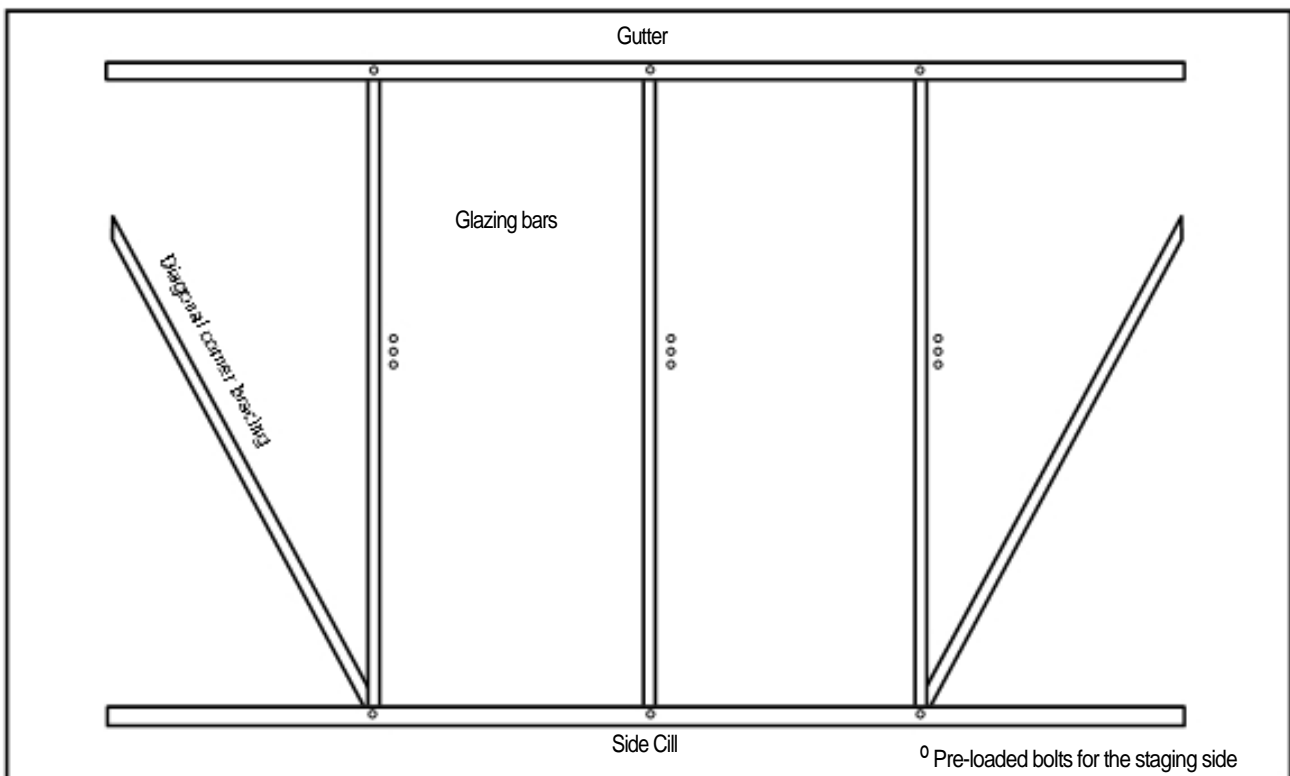
NOTE: Decide which side the staging and shelving is going to be placed. Remember this when pre-loading the extra bolts in both the side and roof glazing bars and most importantly when assembling.

One side of the greenhouse will carry the staging and shelving, that side must be pre-loaded with 3 extra bolts in the appropriate glazing bars. The opposite side will carry only 1 extra pre-loaded bolt.



Assemble sides in the same way as the previous sections. Each glazing bar will be secured to the cill with a nut and bolt and similarly to the gutter bar. The diagonal support bars can then be positioned, using the existing bolts. Once all is in the correct positions tighten the nuts and repeat the assembly for the other side.

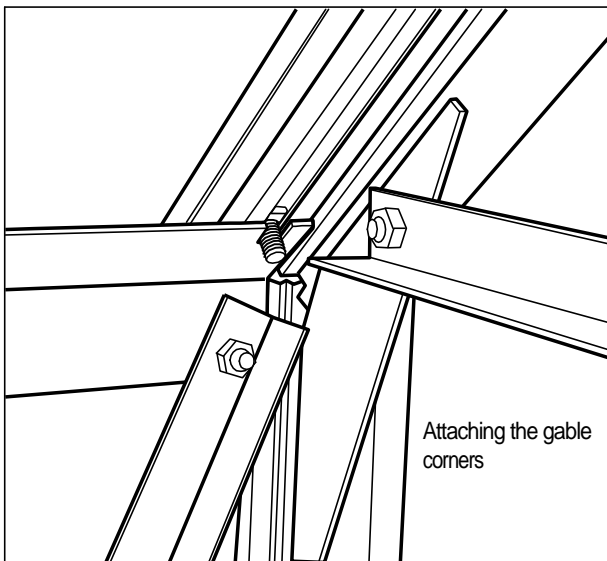
At this point you must have help either as a extra pair of hands or support/props.



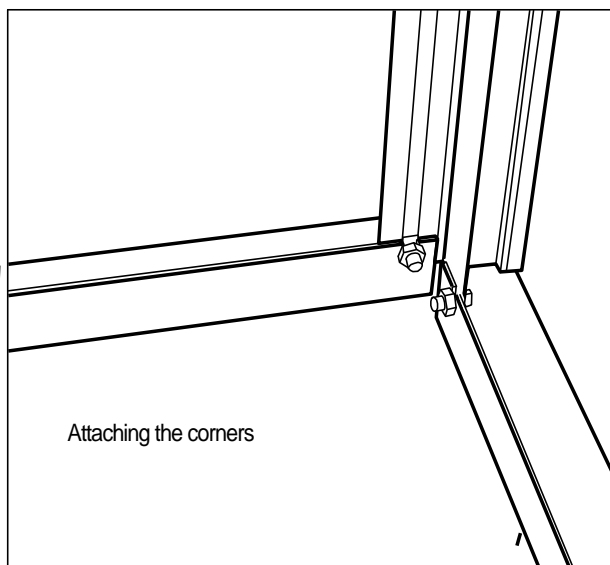
The 6x8 Greenhouse 185 – Summer Greenhouses

FIXING THE FOUR SECTIONS

Each corner is fixed in the same way. Use one of the previously pre-loaded bolts in the side corner bar and slip over the side cill, place nut on bolt and finger tighten. Attach the diagonal brace over pre-loaded bolt and slide into the notch and finger tighten. For the roof allow a pre-loaded bolt to 'fall' into the notch of the gutter, again place nut and tighten.



Repeat this procedure on all corners. Check all is square and tighten bolts.

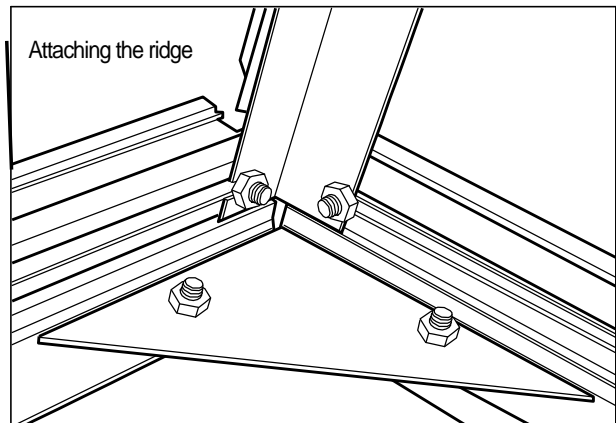


D ASSEMBLING THE ROOF

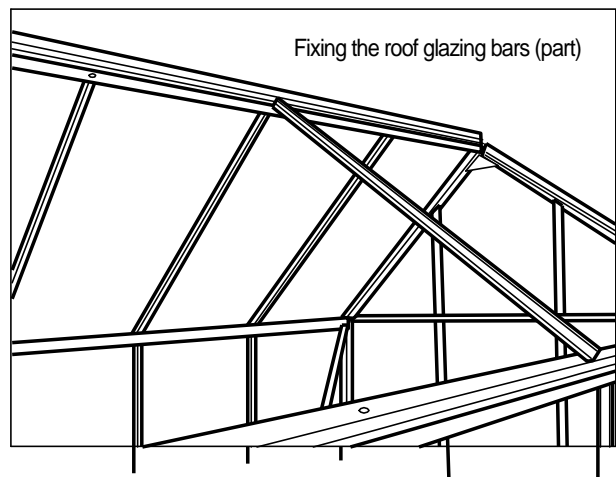
For this you will need to identify the following:

- 1xRidge
- 6xRoof Glazing bars

Firstly, the ridge has to be fixed to the two gable ends. At one end, use the pre-loaded bolt in the roof corner bar to secure the ridge, (as shown). Position the ridge under the top section of the glazing bar so that the pre-loaded bolts can be slid into the slots of the ridge. Tighten the nuts and repeat the procedure at the other end.



Next fix the six glazing bars. Pre-load two extra bolts in to the glazing bars on the side of the shelving and one on the other side. Where the roof vent is to be positioned you will need to pre-load an extra one into the glazing bars. This will carry the vent.



The 6x8 Greenhouse 185 – Summer Greenhouses

Each glazing bar is secured by dropping the bolt through the side gutter and securing with a nut and then, in a similar manner, bolt through the appropriate hole in the ridge. Finger tighten with a nut. Repeat on all six glazing bars.

NOTE: The position of the vent should ideally be in either of the two middle section. This means the two glazing bars with the extra bolts should be attached accordingly.

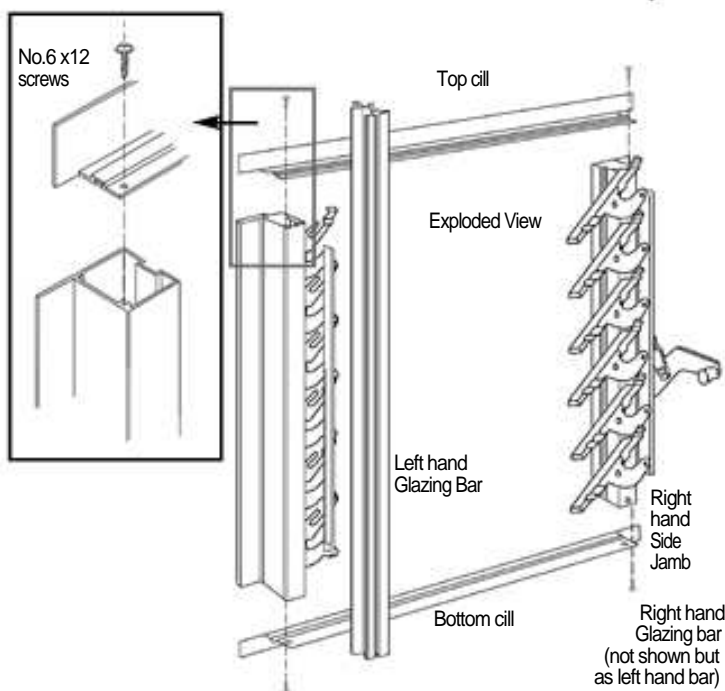
Once checked and all parts are correctly positioned tighten all nuts and bolts.

Vents - Louvre

To assemble the louvre vent you will require 4 self tapping screws and a suitable screwdriver. It is also advisable to do this assembly on a flat surface.

Screw self-tapping screws through holes in the top and bottom cill members into the 'C' groove of the side jambs to form a complete frame.

Louvre vent assembly



E GLAZING THE GREENHOUSE

All the glass has been cut to fit the greenhouse. There will be no need to cut the supplied glass.

Safety note: Please handle all glass with care and it is recommended to wear suitable gloves. It is worth collecting all the necessary equipment together and having it near to hand.

Glass - please refer to the glazing plans
Bar capping
Self tapping screws
Suitable screwdriver
Small hacksaw

Before starting the glazing please refer to the glazing plans on page 20 -23.

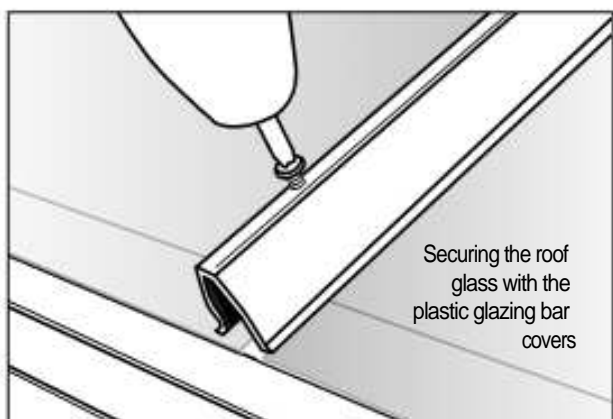
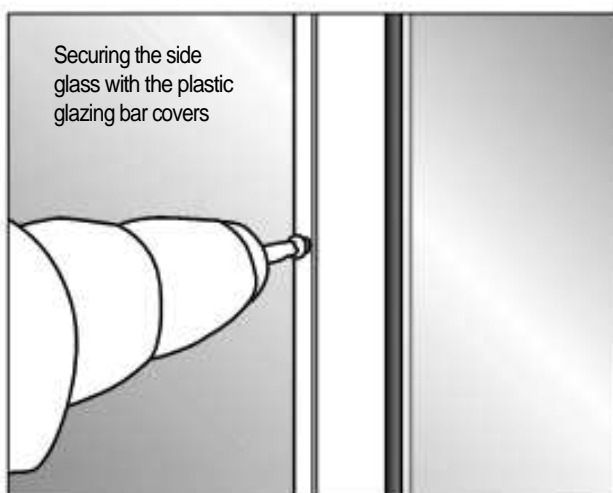
Note The bar capping will need to be cut on the side sections so that the capping fits flush with the bottom of the gutter rail, it is advisable not to force the bar capping underneath the gutter rail. The bar capping where the roof vent is to be fitted needs to be cut to size so that the roof vent sits directly onto the glazing bar, the left over pieces of bar capping should be used to secure the glass into the roof vent.

Start with a side piece of glass and place in the gap nearest to the door end. Gently place the glass up and under the gutter and guide the pane to into position, resting on the rubber bead of the glazing bars and the bottom cill.

To secure, place a bar capping strip on the corner glazing bar and secure by screwing self tapping screws along the complete length in the pre-drilled holes. As you tighten the screws the strip will splay out and hold the glass in place.

Once you have placed the second piece of glass the next glazing bar strip will cover both pieces of glass.

The 6x8 Greenhouse 185 – Summer Greenhouses



Continue with the large pieces and complete both sides and the roof before starting on the gable ends, securing the bar capping as you go.

Glazing the roof is next and completed in a similar way. Again start at the door end and secure the glass as already described, as you go. Ensure the glass fits comfortably on the gutter ledge before securing.

Where the roof vent is to be located you will have to first place a short piece of glass, then attached the vent bottom rail, using the top pre-loaded bolt, finger tighten only at this stage. (The vent can be assembled and positioned at a later time). You will also have to cut two of the bar capping to suit the small pane of glass. (59cm).

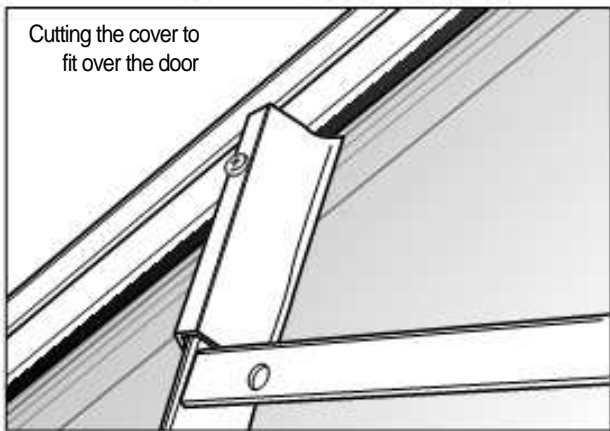
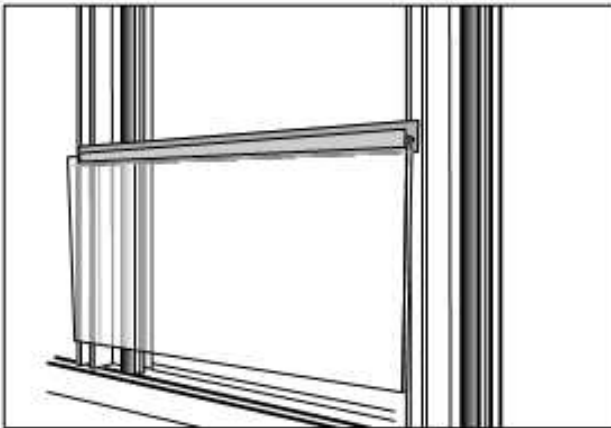
You can now complete the rest of the glazing.

The plain end is completed in a similar fashion but you will need separator strips as these areas are not 'one piece' of glass. Again check the glazing plans on pages 20/23. You will also have to assemble the louvre vent (see page 12 for details) to complete the glazing.

Insert the louvre vent from inside the greenhouse, fit the frame in place, fixing into position using the plastic bar caps and screws. Once in position - and the remaining glass in that panel has been fitted and secured - open the louvre and slide the glass blades into position from inside the greenhouse. To avoid excessive movement of glass, bend the retaining clips so that the louvre blade is firmly gripped.

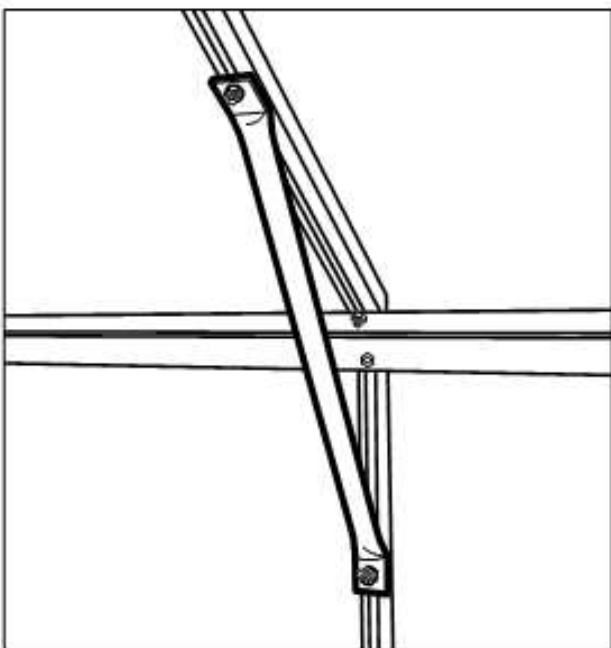


The door end will also require separator strips to hold the different sizes of glass. Again you will have to cut the bar capping strips to fit over the door and hold the glass in over the door.



Cutting the cover to fit over the door

Note: When fitting the bar capping strips on both the plain and door end, it is advisable you measure and cut the strip at the same angle as the gable. This will ensure a neat finish and enable the roof strip to fit perfectly.



Tubular eaves braces

For extra strength and stability you will have to attach the eaves braces. This is simply done by using the pre-loaded bolts in both the roof glazing bars and the side glazing bars. Position the brace so the flat ends fit comfortably on the glazing bars, push the bolts through the holes and tighten with the nuts. Repeat as necessary.

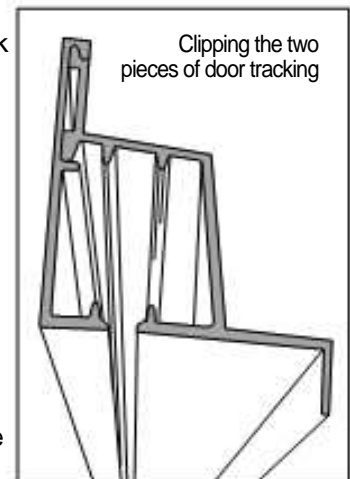
F DOORS, VENTS & FINISHING

Your greenhouse is almost complete, just a few sections to go.

Door Assembly

Identify and roughly layout on the ground the door components:

- 1 x Left hand - right hand- stile
- 1 x Left hand - left hand- stile
- 1 x Right hand - right hand- stile
- 1 x Right hand - left hand- stile
- 2 x Door top rails
- 2 x Door bottom rails
- 2 x Door Middle rails
- 1 x Centredoor stop
- 1 x Inner door track
- 1 x Outer door track
- 2 Handles
- Lock and keys
- Nuts and Bolts
- Glass



Clipping the two pieces of door tracking

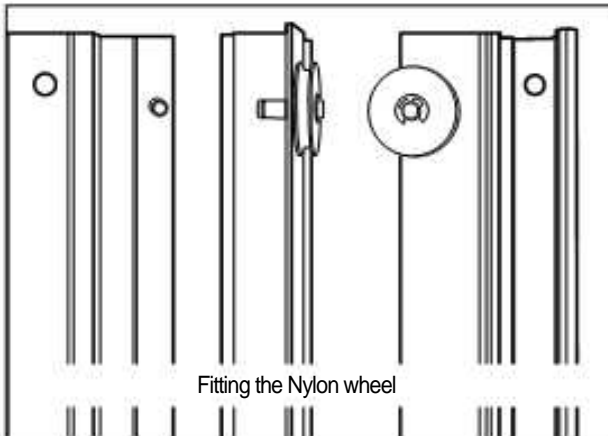
First identify the outer and inner door tracks and the centre door stop.

Fix centre door stop to inner door track ensuring the centre door stop points upwards, click the two pieces of door track together, use 2 x 10mm bolts in the holes near the end. Next fix this track to the greenhouse door track support using nuts and bolt.

The 6x8 Greenhouse 185 – Summer Greenhouses

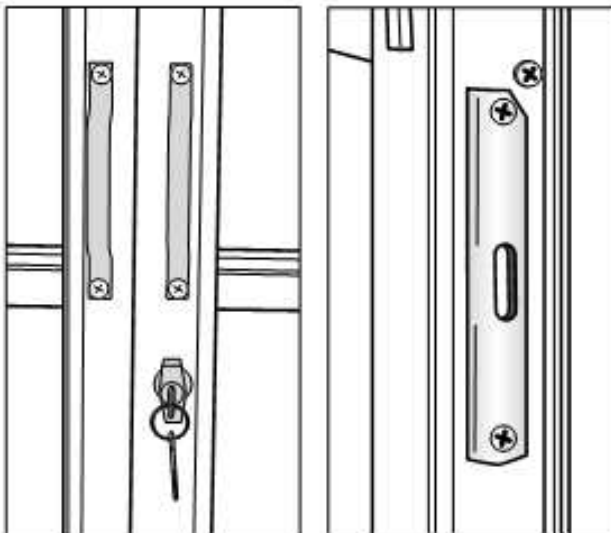
Doors

First select the door top rail and the nylon wheel and the e-ring. This wheel has to be fixed to the top rail by forcing the spindle through the hole, a gentle strike by a hammer may help. Once through place the nylon wheel onto the spindle and secure this by attaching the e-ring, using a pair of pliers - as shown in the diagram below.

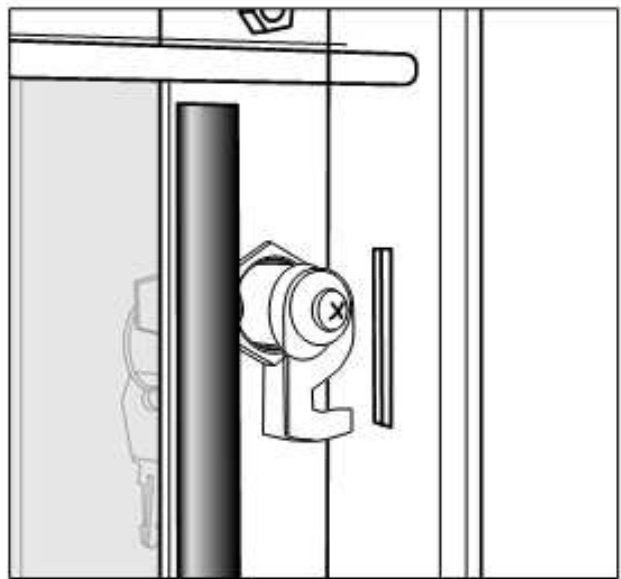


Handles

The handles are simply fixed by two bolts as shown below



The lock is secured by placing the two sections through the hole on the right hand door and tightening the screw. The strike plate can now be fixed.



Doors - (diagram on page 16) Next select the bottom door crossbar and position this between the side members and loosely fix using the bolts. Carefully slide the long PVC edging strips into both door sides.

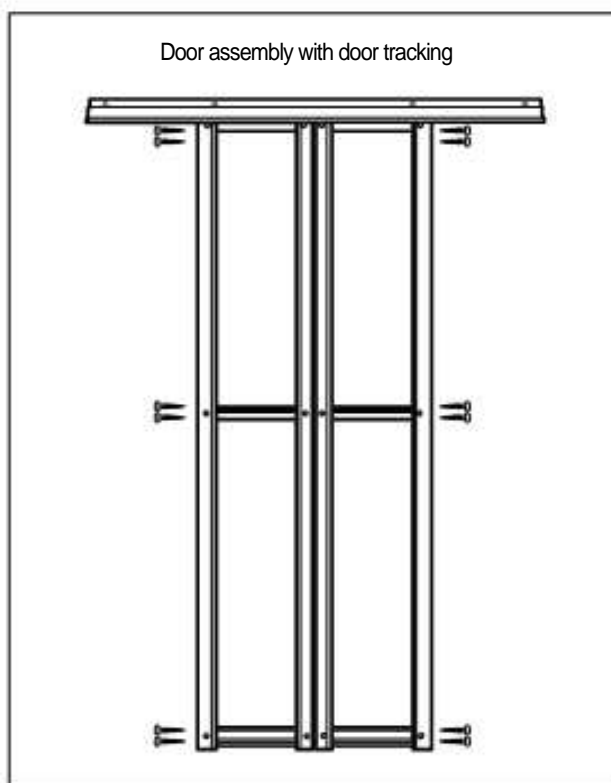
Take the larger size door sheet glass panel (922mm) and slide into position between side members, place a mid rail on the top edge so that the glass sits in the recess - bolt to the side frames.

Select the remaining glass pane, fit the short edging strip to both sides. These strips should be 8mm short at each end. The top cross bar is fitted in the same way as the previous, with the wheels facing upwards.

Cut nylon door glide to fit the bottom cross bar of both doors.

Slide the 2 nylon brush strips into groove on the door side members. These should seal against the door post bar caps when the doors are closed. Crimp the bottom of the groove to prevent the brush strip from sliding out. Screw door side members to the top and bottom bars using self tapping screws.

Tighten all the bolts and nuts.



Fitting the Doors

Slide door wheels into top track, at the same time ensuring the nylon door glide engages in the door guide. Slide on completely and repeat process for other door. Check that both doors run freely, if not then check that the outer track is sitting squarely on the inner track. Check that door track is parallel to door guide.

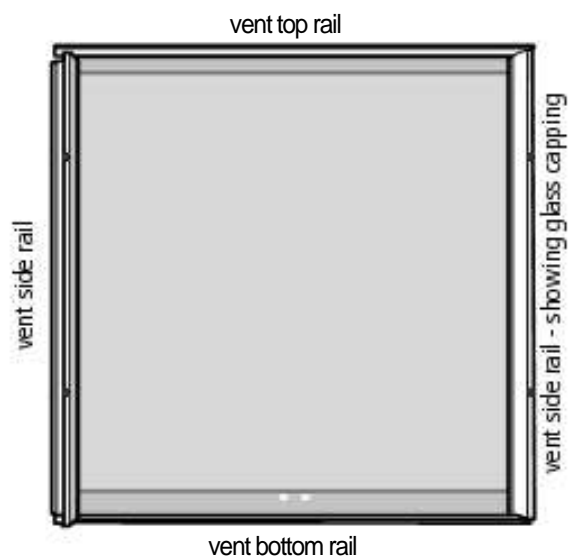
When the doors are running to your satisfaction, fit a rubber door stop to each end of the track in the holes provided using M4 X 10mm stainless steel nut, bolt and washer.

Check all fits and works.

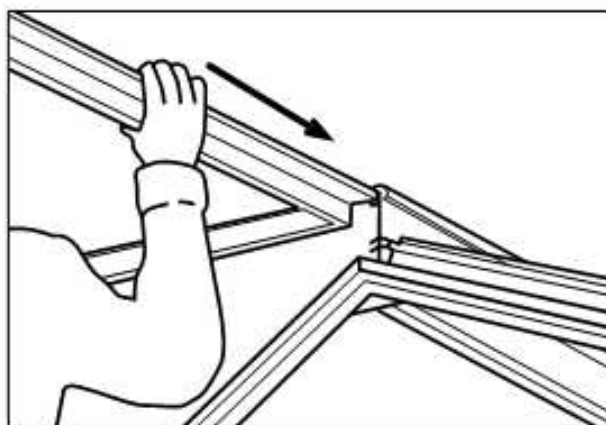
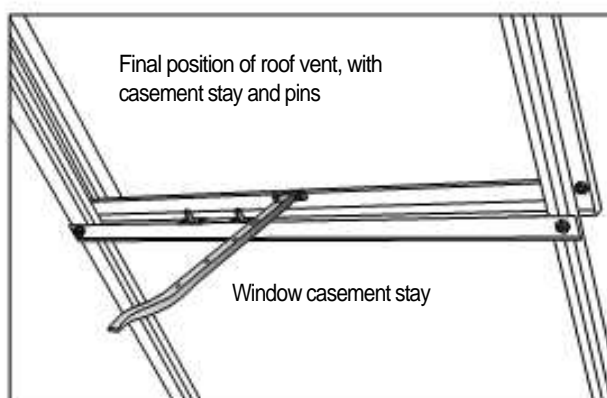
Vents - Roof

Identify roof vent items and the casement stay and assemble with the required pane of glass. You will need to fix the casement stay before assembling the frame (The slam pins will be fixed to the vent slam bar).

Fit both side vent rails to the vent top hinge using M6 x 10 bolts. Slide glass into place and



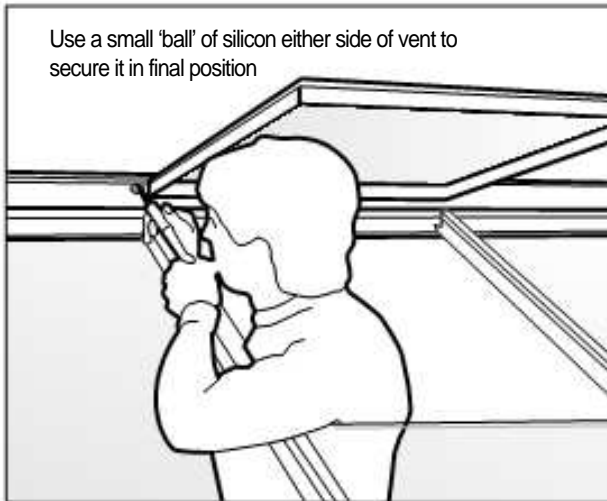
then fit the vent bottom rail using M6 x 10 bolts. Finally check that the vent is square, now it can be slid into position. Check that it functions and the vent sits well and the latch can be secured on the pins. If fine adjustments are required make them. Once happy, secure the vent by using a small ball of silicon at either end of the vent.



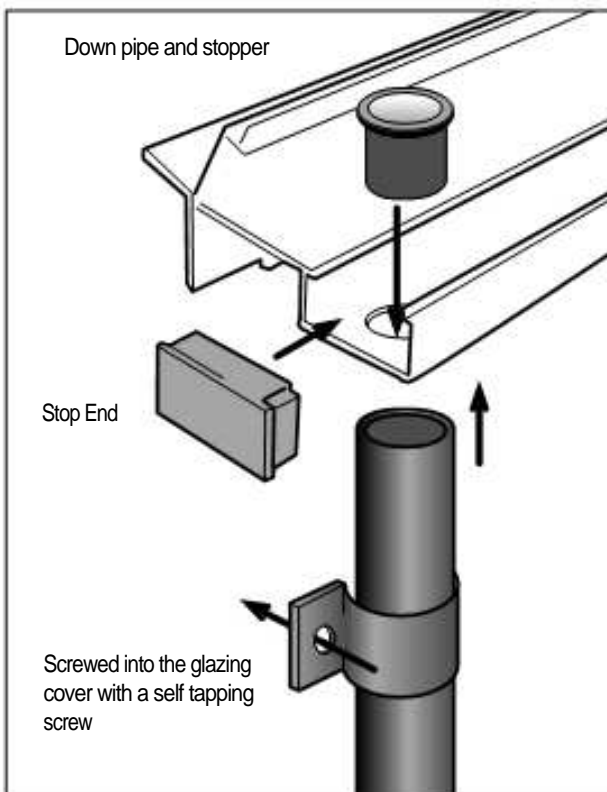
The 6x8 Greenhouse 185 – Summer Greenhouses

Down pipe

Decide where the down pipe is going to be situated and carefully but firmly push the gutter outlet stub into the hole, ensuring a good fit. Next put the stop end in place again making sure a good fit. (Optional - it may be worth



sealing these stop ends with a bead of silicone). The remaining ends and holes can be filled using the blanking grommets.



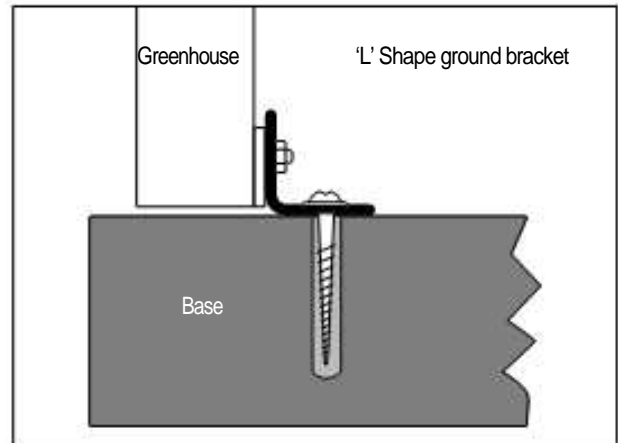
The downpipe is now pushed upwards on to the outlet stub to form a tight fit. Using the pipe clip and a self tapping screw secure the downpipe to the greenhouse by screwing directly into the glazing cover bar. This can be done anywhere but suggest it is done near the bottom.

Note: The downpipe is easily cut if you wish to collect the water in a butt for example.

Fixing the greenhouse to the ground

One final check to ensure that your new greenhouse is now ready to be fixed to the ground. If the greenhouse has to be repositioned then carefully, with help, slide the greenhouse into its correct position.

Place the 'L' shaped brackets, one in each corner and then in the middle glazing bar in the sides. Undo the nut on the greenhouse and place the 'L' shaped bracket over the bolt and loosely redo the nut.

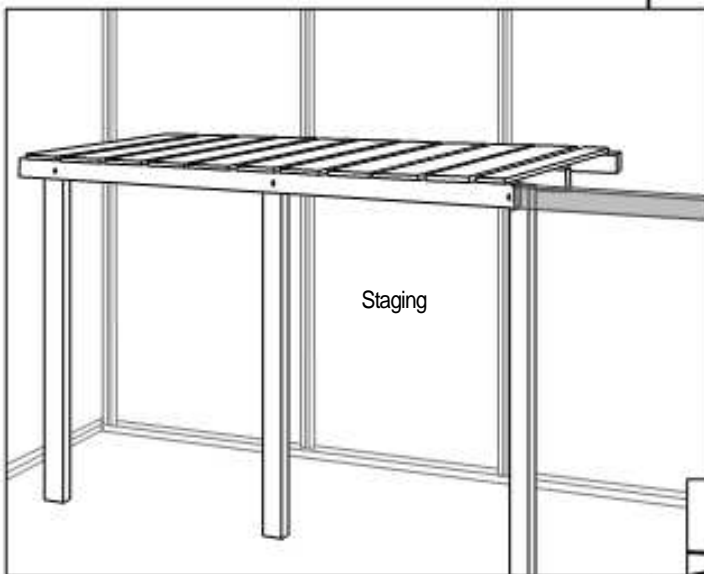
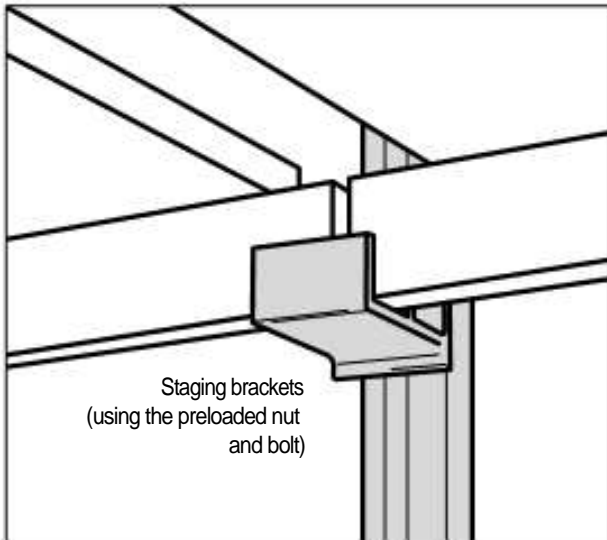


Mark where to drill in the 'floor'. Using a 7mm masonry bit, drill a hole to 50mm depth, insert rawplug into the hole and secure with the woodscrew. Tighten the nut and bolt and repeat this operation on all four sides.

The 6x8 Greenhouse 185 – Summer Greenhouses

Staging

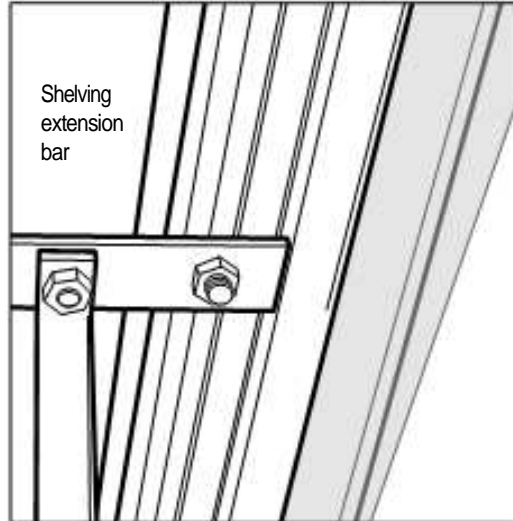
You have already decided which side the staging and shelving is going, so using the pre-loaded bolts, first fix the staging brackets to the middle glazing bar of the chosen side. The height will be defined by the height of the legs and what, if any, they are placed on.



Staging will come in two pieces and will be joined by the supporting legs on the front edge and rest in the staging support at the back, as shown in diagram above.

Fix staging legs to alternate bearers to increase the strength of the staging.

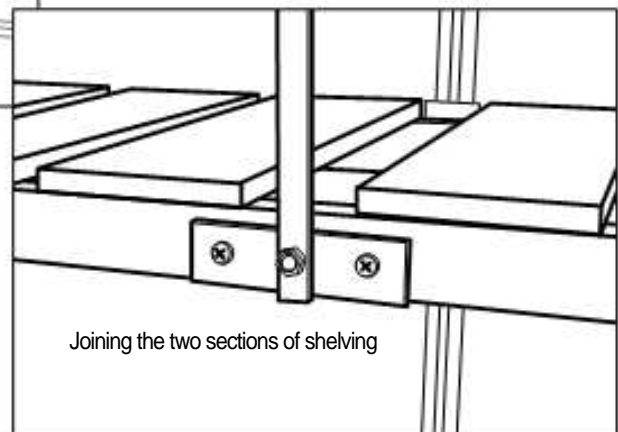
NOTE: Make sure you can easily get to the bolts when fixing the shelving. A piece of tape to stop them sliding down is very useful tip.



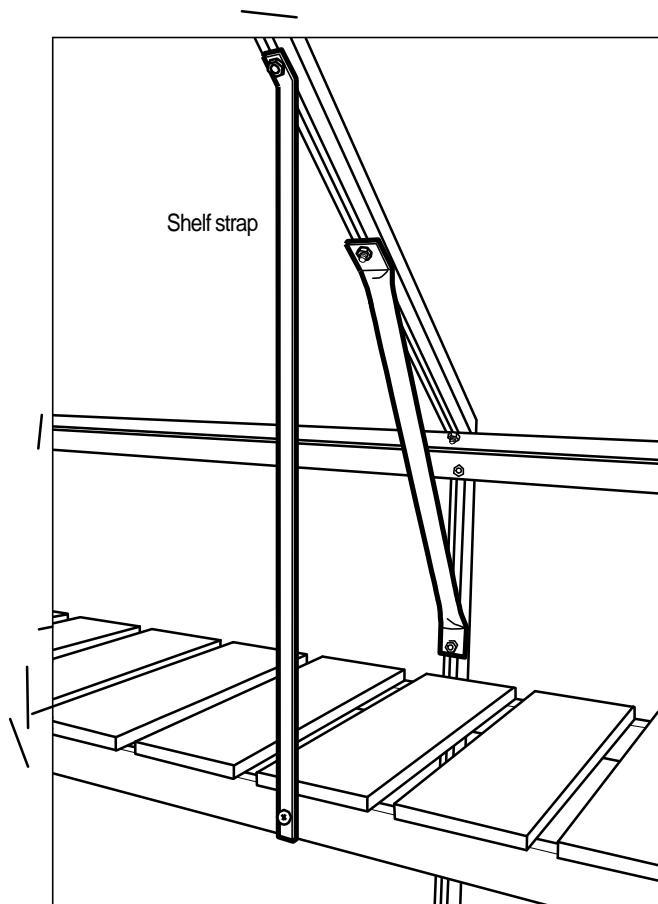
Shelving

First you must attach the shelving extension bars (one at each end) as shown in the above diagram. This is done by using a pre-loaded bolt in the roof corner bar. Finger tighten the nut but minor adjustments may be required to get the correct height.

Next fix the three shelving brackets in the same way as the staging, using the pre-loaded bolts. The position should be just low enough to fit the shelf under the roof brace. The shelving supporting brackets should now be fixed to the roof glazing bars, again using the pre-loaded bolts.



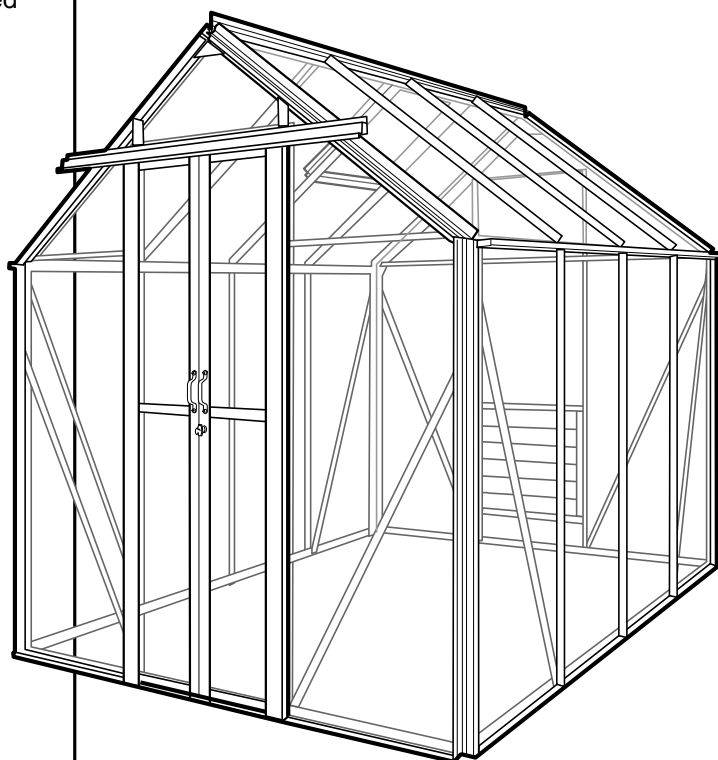
The 6x8 Greenhouse 185 – Summer Greenhouses



Shelving comes in two sections and can be joined using the joining plate. This time the joining plate will have a position for the shelving supporting bar, as shown opposite.

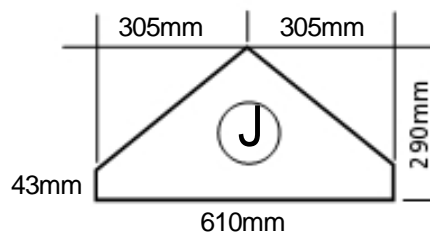
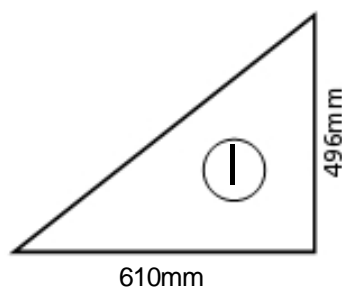
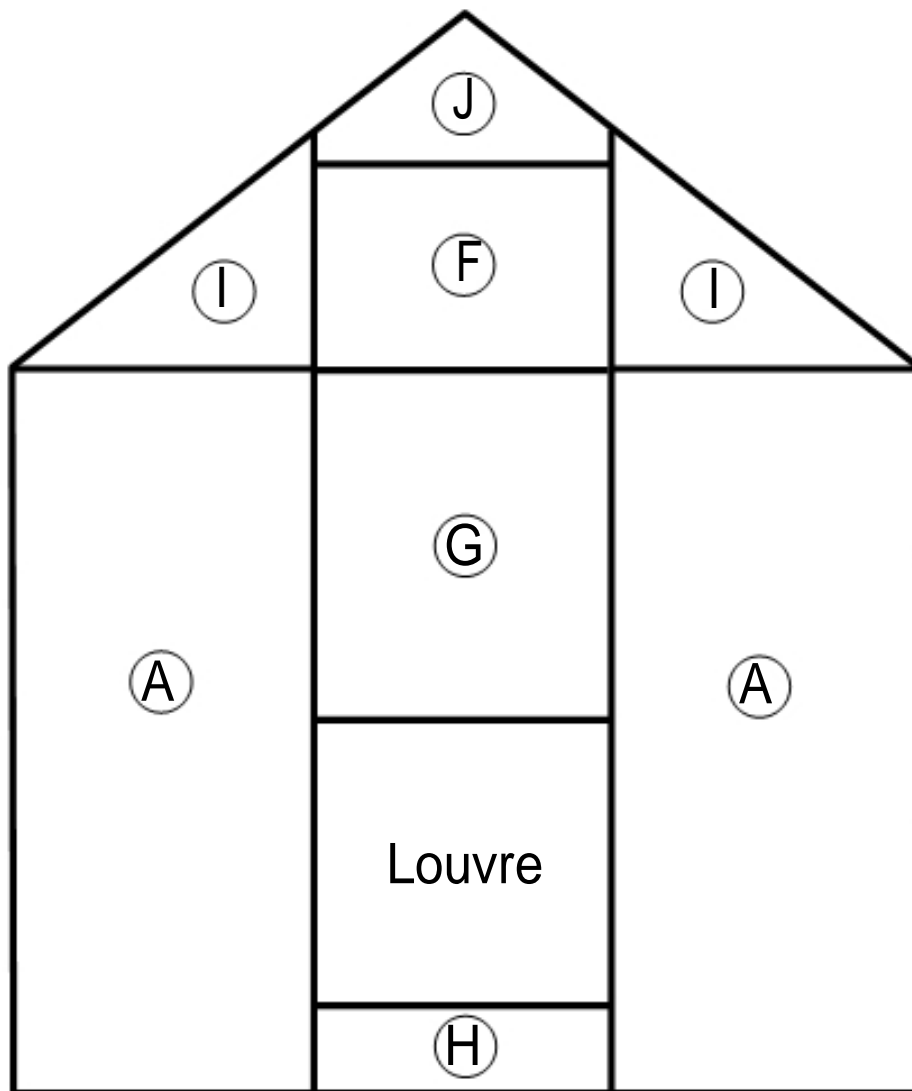
You may find it easier to fix one piece of shelving at a time. Place the shelf into the shelf brackets and then screw the straps to the shelf. Minor adjustments may be required to ensure the shelf is level. Once this is completed tighten all fixings and repeat the operation on the other piece of shelving. Finally secure the joining plate and tighten the shelf straps to the roof glazing bar. Check for level.

The greenhouse is now complete. We hope you enjoy many, many years of greenhouse gardening.



The 6x8 Greenhouse 185 – Summer Greenhouses

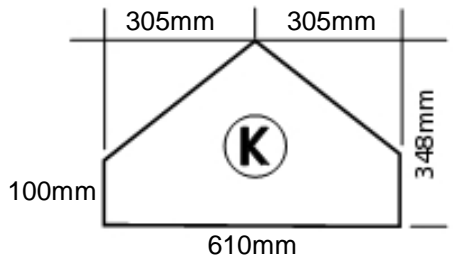
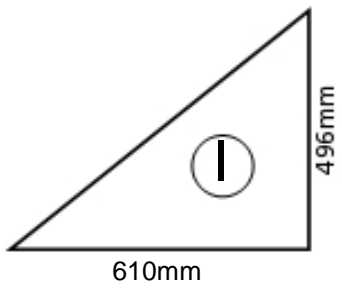
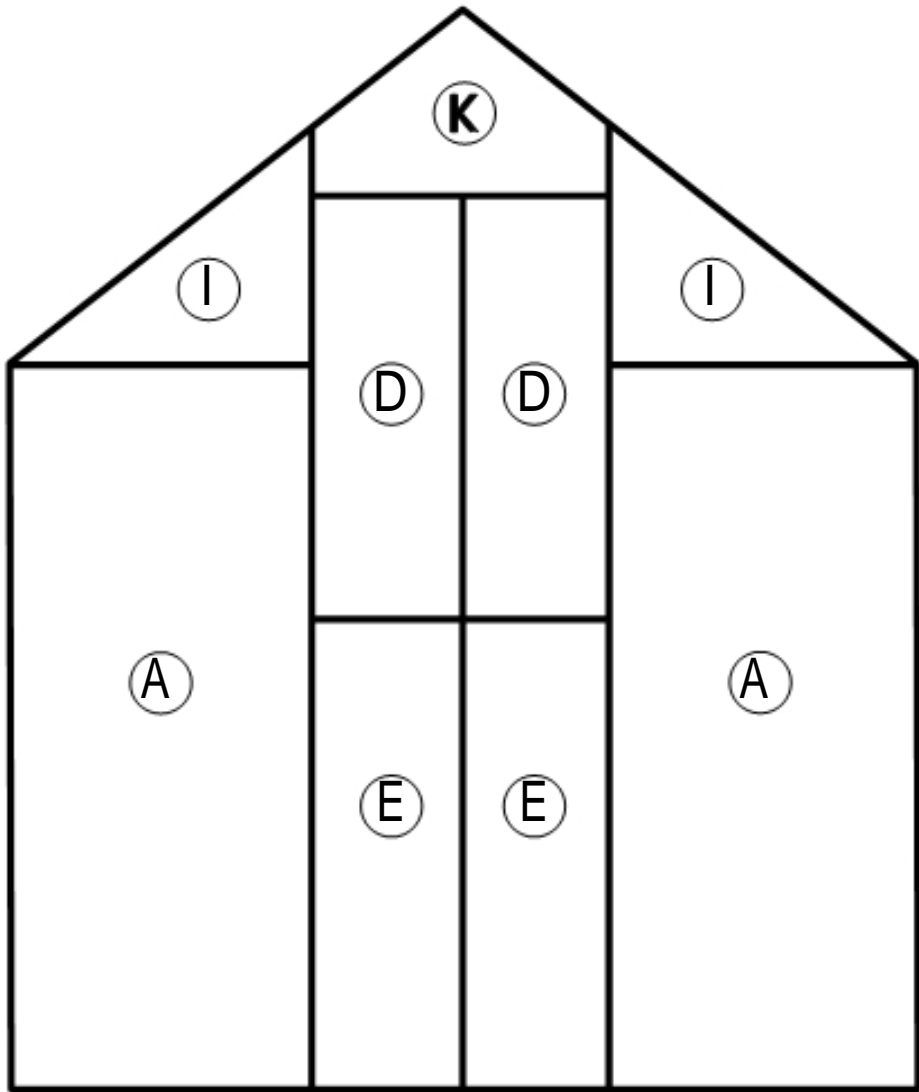
GLAZING PLAN - PLAIN END



Glass Dimensions mm	Quantity				
A	610 x 1489	12	F	610 x 457	1
B	610 x 1205	7	G	610 x 737	1
C	610 x 610	2	H	610 x 140	1
D	812 x 249	2	I	610 x 496 - shaped	4
E	922 x 249	2	J	610 x 290 - shaped	1
			K	610 x 348 - shaped	1

The 6x8 Greenhouse 185 – Summer Greenhouses

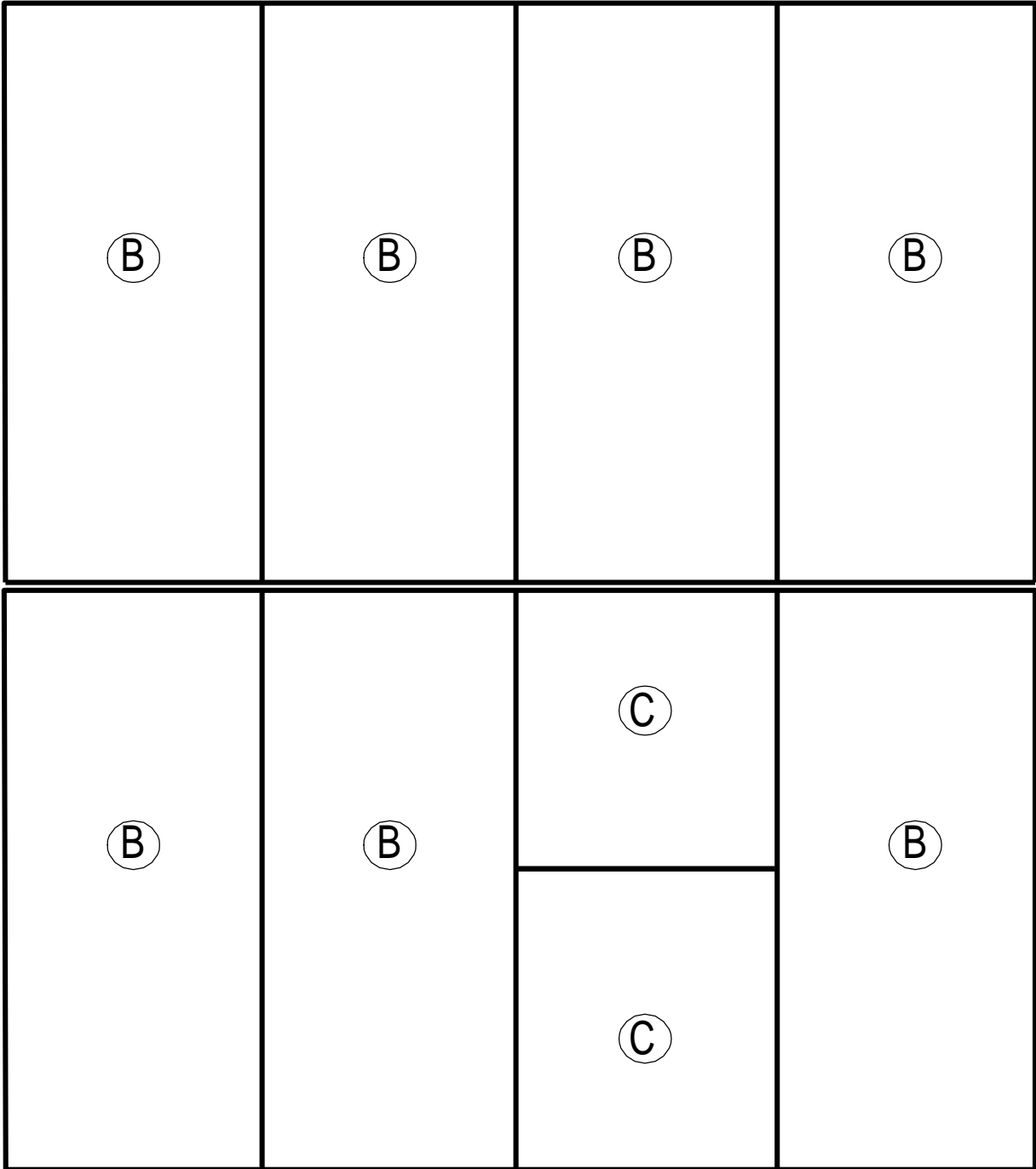
GLAZING PLAN - DOOR END



Glass Dimensions mm	Quantity			
A 610 x 1489	12	F	610 x 457	1
B 610 x 1205	7	G	610 x 737	1
C 610 x 610	2	H	610 x 140	1
D 812 x 249	2	I	610 x 496 - shaped	4
E 922 x 249	2	J	610 x 290 - shaped	1
		K	610 x 348 - shaped	1

The 6x8 Greenhouse 185 – Summer Greenhouses

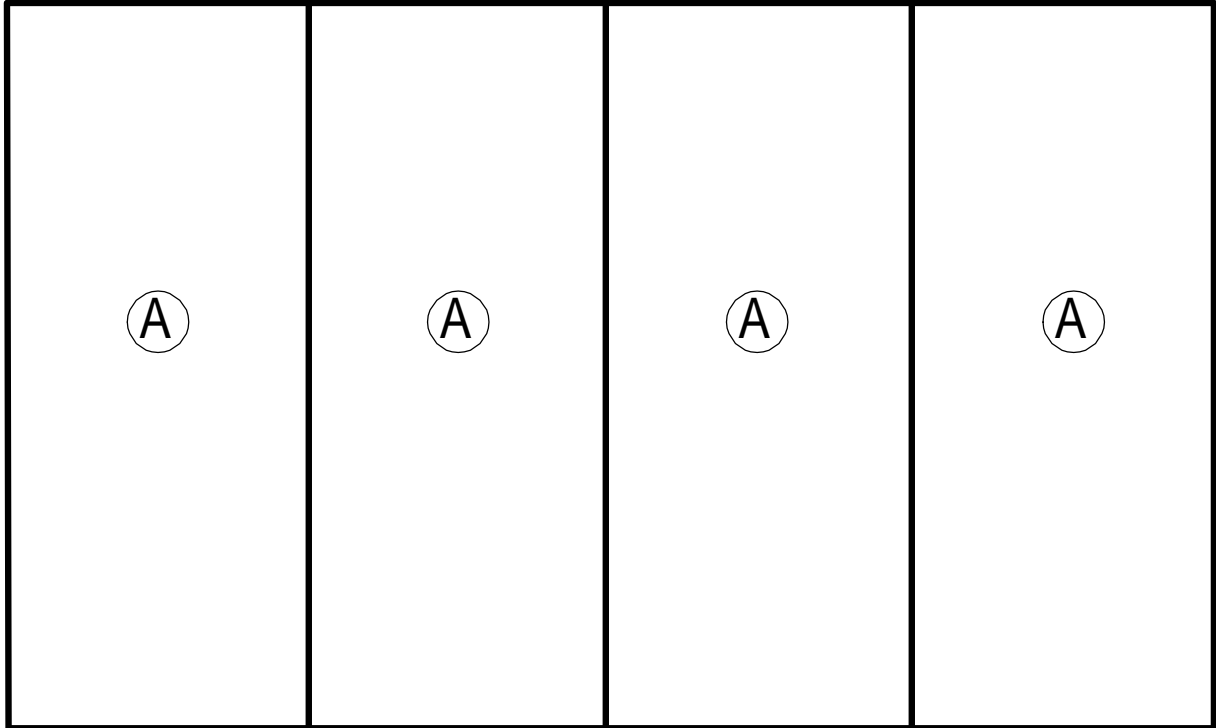
GLAZING PLAN - ROOF both sides



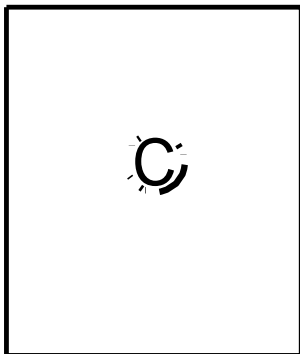
Glass Dimensions mm	Quantity			
A 610 x 1489	12	F	610 x 457	1
B 610 x 1205	7	G	610 x 737	1
C 610 x 610	2	H	610 x 140	1
D 812 x 249	2	I	610 x 496 - shaped	4
E 922 x 249	2	J	610 x 290 - shaped	1
		K	610 x 348 - shaped	1

The 6x8 Greenhouse 185 – Summer Greenhouses

GLAZING PLAN - SIDES



GLAZING PLAN - ROOF VENT



Glass Dimensions mm	Quantity			
A 610 x 1489	12	F	610 x 457	1
B 610 x 1205	7	G	610 x 737	1
C 610 x 610	2	H	610 x 140	1
D 812 x 249	2	I	610 x 496 - shaped	4
E 922 x 249	2	J	610 x 290 - shaped	1
		K	610 x 348 - shaped	1

Supplementary Instructions for the Aluminium Greenhouse 185

In order to fully complete your greenhouse, please carry out the following instructions. They follow on from the end of page 14 and should be completed before moving on to page 15.

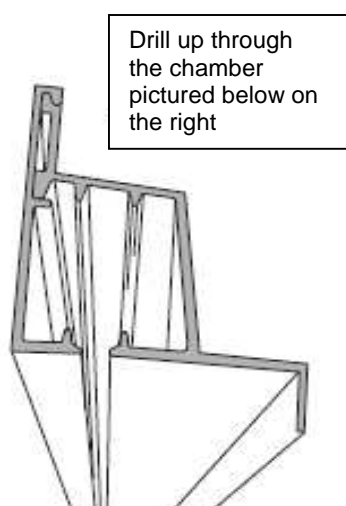
Tools Required

Drill

4.5mm Drill Bit

Instructions

Before attaching the door track support to the greenhouse you must drill a 4.5mm hole at each end of the door track. It will later be used to secure the rubber door stop. The holes should be drilled 15mm in from each end and roughly in the middle of the section highlighted in the diagram below.



Summer Garden Buildings does not guarantee that this is the most recent version of these instructions or that all data has been accurately reproduced. You are advised to refer to the instructions supplied with the product before assembly. If for any reason the instructions are not delivered with the product you are advised to obtain the most recent version before assembly. No guarantee is given regarding the accuracy of these instructions and no liability will be accepted for any errors or inaccuracies.

SummerGreenhouses.com is a specialist greenhouse website administered by Summer Garden Buildings, a leading UK retailer of garden buildings. Our comprehensive range of garden and leisure buildings includes:

- Summerhouses, garden rooms, log cabins and garden offices
- Cedar and aluminium greenhouses, lean to greenhouses and mini greenhouses
- Garden sheds, workshops, storage buildings and small store sheds
- Children's playhouses, play centres and outdoor play equipment
- Gazebos, pergolas, arbours and arches
- Cane furniture and garden furniture in hardwood, aluminium and synthetic weave
- Double glazed PVCu conservatories in white or woodgrain PVCu

Phone us free 7 days a week on 0800 9777 828 or visit www.SummerGardenBuildings.co.uk